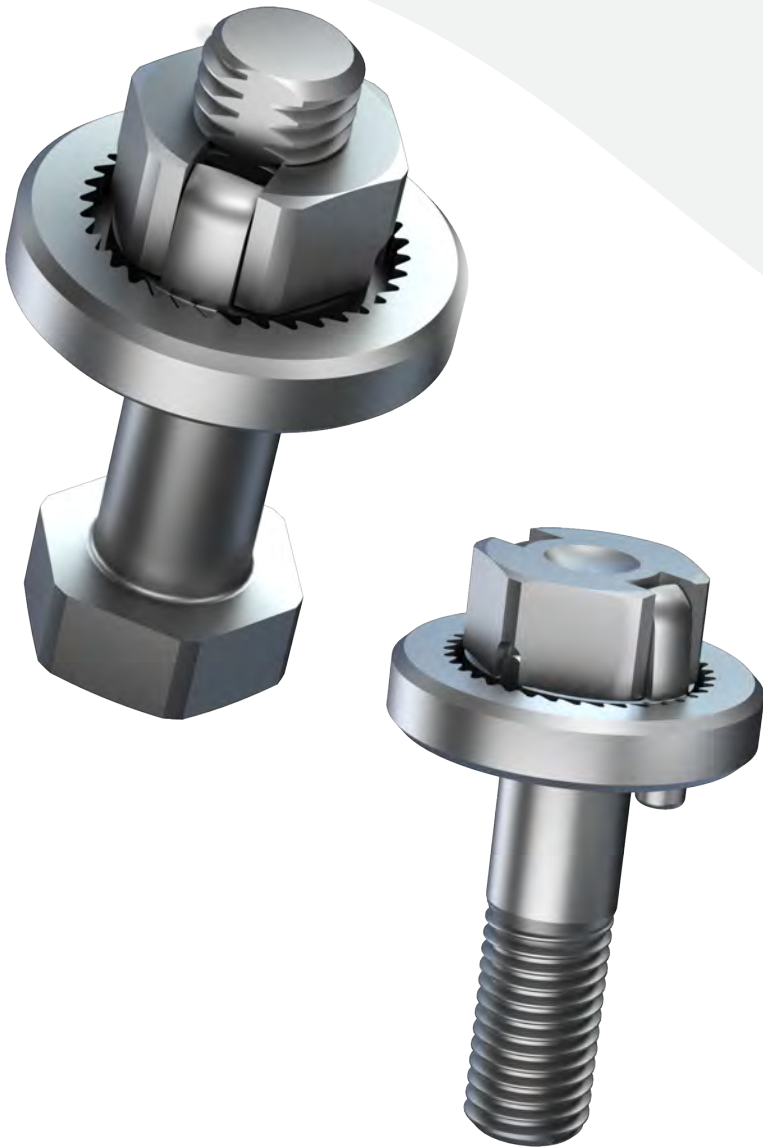


# Radial Lock Fasteners

Permanent, Reversible, Reusable

The NEW fastener.



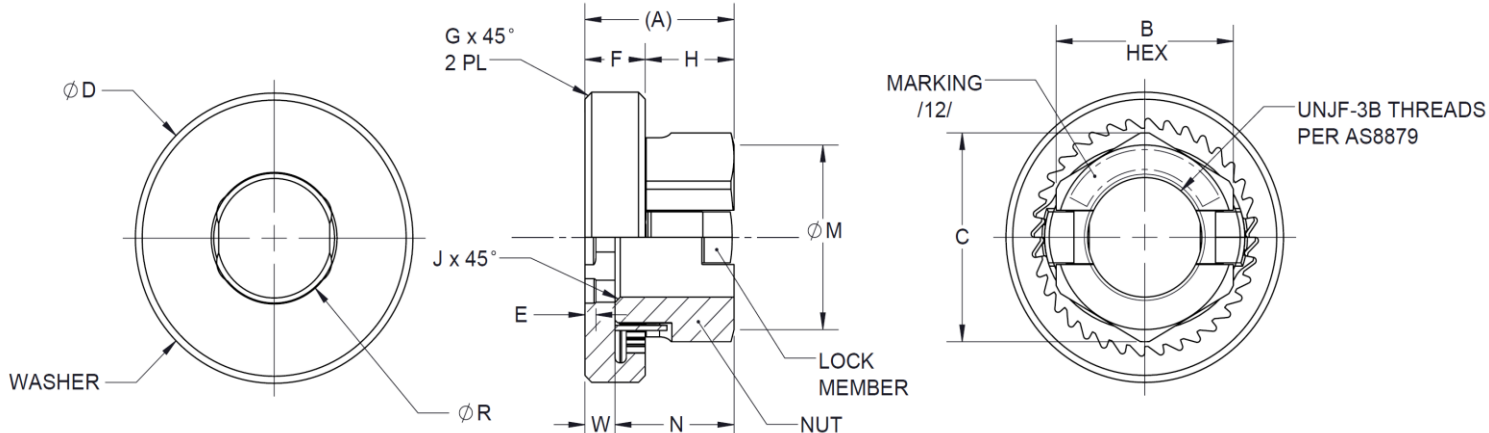
⊕ Highly Vibration Resistant

⊕ Standard Hex Socket Compatible

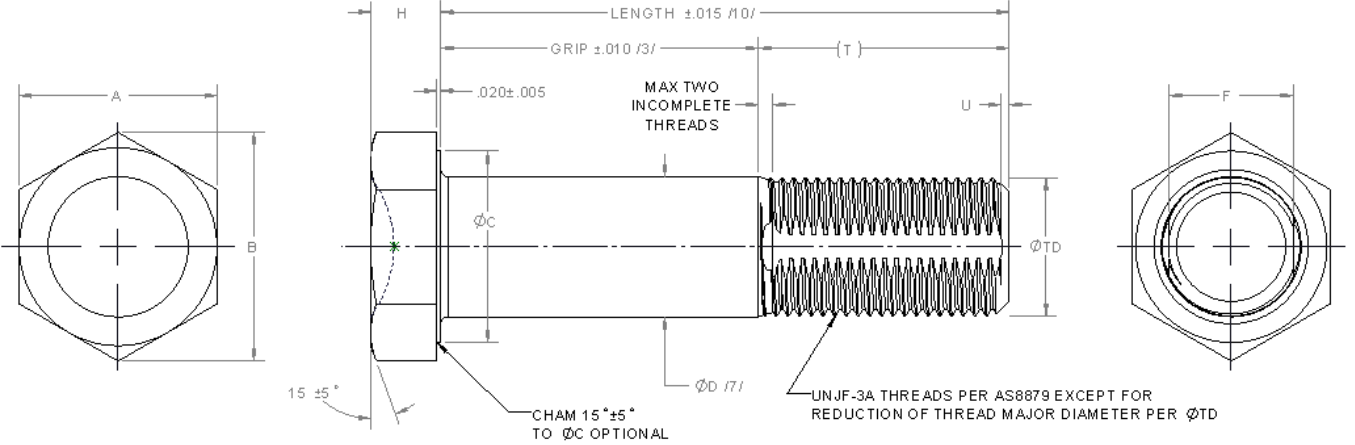
⊕ Accurate Preload

# Enduralock

14847 W 95th Street, Lenexa, Kansas [www.enduralock.com](http://www.enduralock.com) 913.214.9911



| DIA | THREAD    | (A) MAX | B HEX   |         | C MIN | ØD MAX | (E)  | F MAX | (G)  | H MIN | (J)  | ØM MIN | (N)  | ØR      |         | (W)  | TENSILE STRENGTH |             |          |
|-----|-----------|---------|---------|---------|-------|--------|------|-------|------|-------|------|--------|------|---------|---------|------|------------------|-------------|----------|
|     |           |         | MAX     | MIN     |       |        |      |       |      |       |      |        |      | MAX     | MIN     |      | A286 CRES        | ALLOY STEEL | INCO 718 |
|     |           |         | LBF MIN | LBF MIN |       |        |      |       |      |       |      |        |      | LBF MIN | LBF MIN |      | LBF MIN          |             |          |
| 3   | .1900-32  | .313    | .376    | .367    | .41   | .610   | .025 | .145  | .015 | .157  | .020 | .347   | .250 | .198    | .192    | .063 | 2,825            | 3,620       | 4,070    |
| 4   | .2500-28  | .366    | .439    | .430    | .482  | .715   | .030 | .170  | .020 | .188  | .020 | .410   | .292 | .260    | .252    | .074 | 5,060            | 6,470       | 7,270    |
| 5   | .3125-24  | .424    | .502    | .492    | .552  | .775   | .035 | .190  | .020 | .235  | .025 | .472   | .340 | .324    | .315    | .084 | 8,000            | 10,200      | 11,500   |
| 6   | .3750-24  | .469    | .564    | .553    | .622  | .840   | .035 | .210  | .025 | .251  | .025 | .533   | .375 | .388    | .378    | .094 | 11,900           | 15,200      | 17,100   |
| 7   | .4375-20  | .576    | .690    | .679    | .766  | 1.025  | .045 | .255  | .030 | .298  | .030 | .659   | .460 | .451    | .441    | .116 | 16,100           | 20,600      | 23,200   |
| 8   | .5000-20  | .628    | .752    | .741    | .837  | 1.090  | .045 | .275  | .030 | .344  | .030 | .721   | .502 | .515    | .504    | .126 | 21,450           | 27,500      | 30,900   |
| 9   | .5625-18  | .732    | .877    | .865    | .978  | 1.275  | .055 | .315  | .040 | .376  | .030 | .845   | .585 | .579    | .568    | .147 | 27,250           | 34,800      | 39,200   |
| 10  | .5250-18  | .786    | .940    | .928    | 1.051 | 1.340  | .055 | .340  | .040 | .391  | .030 | .908   | .628 | .643    | .631    | .158 | 34,050           | 43,600      | 49,100   |
| 12  | .7500-16  | .890    | 1.064   | 1.052   | 1.191 | 1.525  | .070 | .375  | .045 | .454  | .035 | 1.032  | .711 | .770    | .757    | .179 | 49,300           | 63,200      | 71,000   |
| 14  | .8750-14  | 1.048   | 1.252   | 1.239   | 1.403 | 1.775  | .080 | .445  | .055 | .516  | .035 | 1.219  | .837 | .897    | .884    | .211 | 67,400           | 86,300      | 97,000   |
| 16  | 1.0000-12 | 1.206   | 1.44    | 1.427   | 1.615 | 1.965  | .090 | .510  | .060 | .580  | .045 | 1.407  | .963 | 1.025   | 1.010   | .243 | 89,300           | 112,000     | 129,000  |



| DIA | THREAD UNJF-3A | A HEX | B MIN | ØC MIN | ØD       |       |                  |       | F     | H    | (T)  | U     | ØTD  | CRES A286        |              | ALLOY STEEL      |              | NICKEL ALLOY 718 |              |         |
|-----|----------------|-------|-------|--------|----------|-------|------------------|-------|-------|------|------|-------|------|------------------|--------------|------------------|--------------|------------------|--------------|---------|
|     |                |       |       |        | UNPLATED |       | PLATED OR COATED |       |       |      |      |       |      | TENSILE STRENGTH | DOUBLE SHEAR | TENSILE STRENGTH | DOUBLE SHEAR | TENSILE STRENGTH | DOUBLE SHEAR |         |
|     |                |       |       |        | MAX      | MIN   | MAX              | MIN   |       |      |      |       |      | LBF              | LBF          | LBF              | LBF          | LBF              | LBF          |         |
| 3   | .1900-32       | .376  | .367  | .410   | .335     | .1895 | .1890            | .1895 | .1885 | .138 | .11  | .345  | .039 | .181             | 3,620        | 5,380            | 3,620        | 5,380            | 4,970        | 7,100   |
| 4   | .2500-28       | .439  | .429  | .480   | .398     | .2495 | .2490            | .2495 | .2485 | .195 | .125 | .425  | .045 | .241             | 6,470        | 9,300            | 6,470        | 9,300            | 8,870        | 12,300  |
| 5   | .3125-24       | .502  | .492  | .552   | .460     | .312  | .3115            | .312  | .311  | .25  | .156 | .469  | .052 | .302             | 10,200       | 14,600           | 10,200       | 14,600           | 14,100       | 19,200  |
| 6   | .3750-24       | .564  | .554  | .623   | .523     | .3745 | .3745            | .3745 | .3735 | .311 | .188 | .578  | .052 | .364             | 15,200       | 21,000           | 15,200       | 21,000           | 20,900       | 27,800  |
| 7   | .4375-20       | .690  | .678  | .764   | .648     | .437  | .4365            | .437  | .436  | .363 | .219 | .694  | .062 | .426             | 20,600       | 28,600           | 20,600       | 28,600           | 28,300       | 37,600  |
| 8   | .5000-20       | .752  | .741  | .836   | .710     | .4995 | .4990            | .4995 | .4985 | .426 | .25  | .735  | .062 | .488             | 27,500       | 37,300           | 27,500       | 37,300           | 37,800       | 49,200  |
| 9   | .5625-18       | .877  | .865  | .978   | .835     | .5615 | .5610            | .5615 | .5605 | .481 | .281 | .84   | .068 | .550             | 34,800       | 47,200           | 34,800       | 47,200           | 47,900       | 62,200  |
| 10  | .6250-18       | .940  | .928  | 1.052  | .898     | .624  | .6235            | .624  | .623  | .544 | .312 | .902  | .068 | .612             | 43,600       | 58,300           | 43,600       | 58,300           | 59,900       | 76,700  |
| 12  | .7500-16       | 1.065 | 1.052 | 1.191  | 1.023    | .749  | .7485            | .749  | .748  | .661 | .375 | 1.041 | .078 | .737             | 63,200       | 83,900           | 63,200       | 83,900           | 86,900       | 110,000 |
| 14  | .8750-14       | 1.252 | 1.239 | 1.405  | 1.210    | .874  | .8735            | .874  | .873  | .775 | .438 | 1.184 | .089 | .861             | 86,300       | 114,000          | 86,300       | 114,000          | 119,000      | 150,000 |
| 16  | 1.0000-12      | 1.440 | 1.427 | 1.619  | 1.398    | .999  | .9985            | .999  | .998  | .885 | .500 | 1.309 | .104 | .986             | 112,000      | 149,000          | 112,000      | 149,000          | 155,000      | 196,000 |

PRODUCT ALSO AVAILABLE IN COURSE THREAD

FOR MORE DETAILS REFER TO NAS9936 & NAS9937, OR CONTACT OUR ENGINEERING DEPT. AT (913) 214-9911  
 FOR OFFICIAL COPIES OF NAS STANDARDS VISIT AIA STANDARDS STORE AT WWW.AIA-NAS.ORG